

- 1
- 2
- 3
- 4
- 5
- 6
- 7
- 8
- 9
- 10
- 11
- 12
- 13
- 14
- 15
- RH

**MATERIAL**

High-resilience polypropylene based (PP) technopolymer, coated with thermoplastic elastomer (TPE) "soft-touch" chemically bonded, hardness 70 Shore A. The coating material is certified according to FDA (U.S. Food and Drug administration), black colour, matte finish.

**COLOURED CENTRE CAP**

Polypropylene based (PP) technopolymer, in the six standard colours, matte finish.

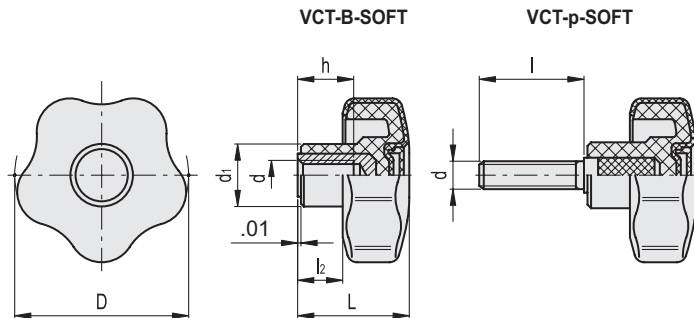
On request and for sufficient quantities, it can be supplied in other colours or with customised graphic symbols, marks or writings.

**STANDARD EXECUTIONS**

- **VCT-B-SOFT:** brass boss, threaded blind hole.
- **VCT-p-SOFT:** zinc-plated steel threaded stud with chamfered flat end as in ISO 4753 (see Technical data on page A-11).



ELESA Original design



\* Complete with colour index, example: 9169894-C2 VCT.43 B-5/16-18-SOFT-C2

- C9 RAL9005
- C2 RAL2004
- C3 RAL7035
- C4 RAL1021
- C5 RAL5024
- C6 RAL3000
- C17 RAL6017

**VCT-B-SOFT**

INCH

Code	Description	D	d2B	L	d1	l2	h	C# [ft·lb]	⚖
9169894-*	VCT.43 B-5/16-18-SOFT-*	1.69	5/16-18	1.14	0.67	0.43	0.51	15	0.04
9169954-*	VCT.53 B-3/8-16-SOFT-*	2.09	3/8-16	1.34	0.75	0.51	0.67	27	0.08

**VCT-p-SOFT**

INCH

Code	Description	D	d2A	L	d1	l	l2	C# [ft·lb]	⚖
9169913-*	VCT.43 p-5/16-18x1-SOFT-*	1.69	5/16-18	1.14	0.67	1.000	0.43	14	0.05
9169973-*	VCT.53 p-3/8-16x1½-SOFT-*	2.09	3/8-16	1.34	0.75	1.500	0.51	27	0.1

# "Max limit Tightening torque" means the max torque value at which the metal insert, in normal conditions of use, is perfectly and strongly anchored to the plastic material.

Clamping knobs